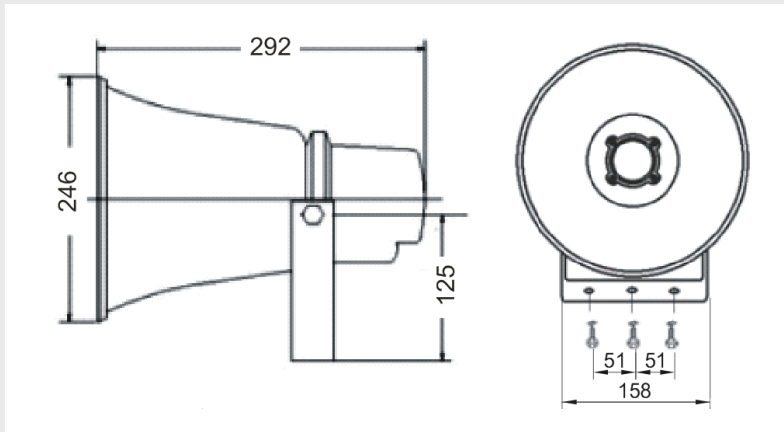


## AC-630T



### WARNING:

- Installation by qualified personnel only.
- Speakers must be wired in parallel and connected to the correct line terminals of amplifier.
- Ensure that all speakers have the same polarity with respect to each other.
- Do not select another tapings if the speaker is in use.
- No naked flame sources, such as lighted candles, should be placed on the apparatus.

## SPECIFICATIONS

<b>Model</b>	<b>AC-630T</b>
<b>Rated Power (RMS)</b>	30 W
<b>Power taps 100 V</b>	30 W, 15 W, 7'5 W, 3'8 W & 8 Ω
<b>Power taps 70 V</b>	15 W, 7'5 W, 3'8 W, 1'9 W & 8 Ω
<b>Impedance</b>	333 Ω, 666 Ω, 1k3 Ω, 2k7 Ω & 8 Ω
<b>Sensitivity SPL</b>	109 dB SPL at 1 W, 1 m & 1 kHz
<b>Sound Pressure SPL</b>	124 dB SPL at 30 W, 1 m & 1 kHz
<b>Freq. Range</b>	380 ~ 10.000 Hz
<b>Dimension (mm)</b>	Ø 246 x 292 (length)
<b>Weight</b>	2,1 kg
<b>Finish</b>	Aluminum
<b>Mounting</b>	U type steel mounting bracket, powder coated painted Stainless steel screws
<b>Protection</b>	IP-66 (IEC 529)
<b>Power selection</b>	By rotary switch

## POWER SELECTION

